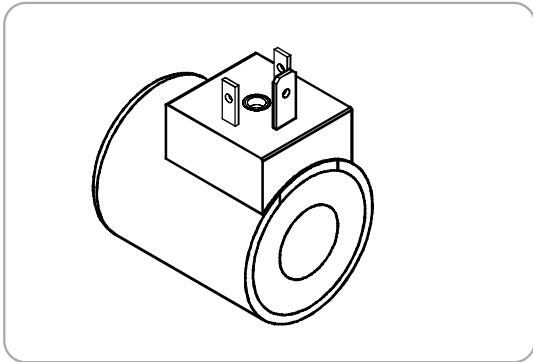


**COS SERIES COIL**

**COS 12 SERIES**



**Speciality**

Model Number	VOLTAGE(V)		HOLDING CURRENT (A)	Power (W)
	SOURCE RATED	RANGE		
COS12-D1-*	DC12V	10.9~13.2	1.9	23
COS12-D1-*	DC24V	21.8~26.4	1.0	23

- Above value based on temperature 30° C, electric voltage allowance 10%.
- Coil - COS12 series application for EVR-01.10 .

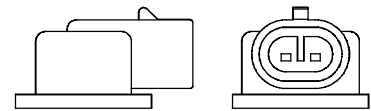
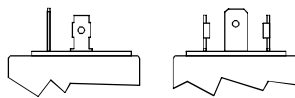
**How To Order**

1	2	3	4
COS	12	- D1-	*

**4 Wiring Type**

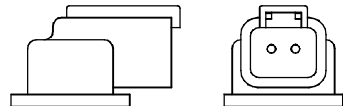
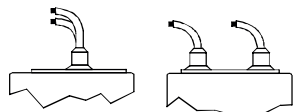
**H: WIRING BOX TYPE**  
(DIN 43650-A / ISO4400)

**S : AMP SUPERSEAL-V**



**X : DOUBLE LEAD**

**D : DEUTSCH DT04-2P-V**



**1 Valve Series**

COS=Proportional Valves Series Coil  
(IRON COVER IP 65~67)

**2 Subplate Mounting Size**

Size :12

**3 Type Of Coil**

D1:DC12V  
D2:DC24V

Coil type of proportional valve , is available in H type only at this moment.

**Dimensions**

